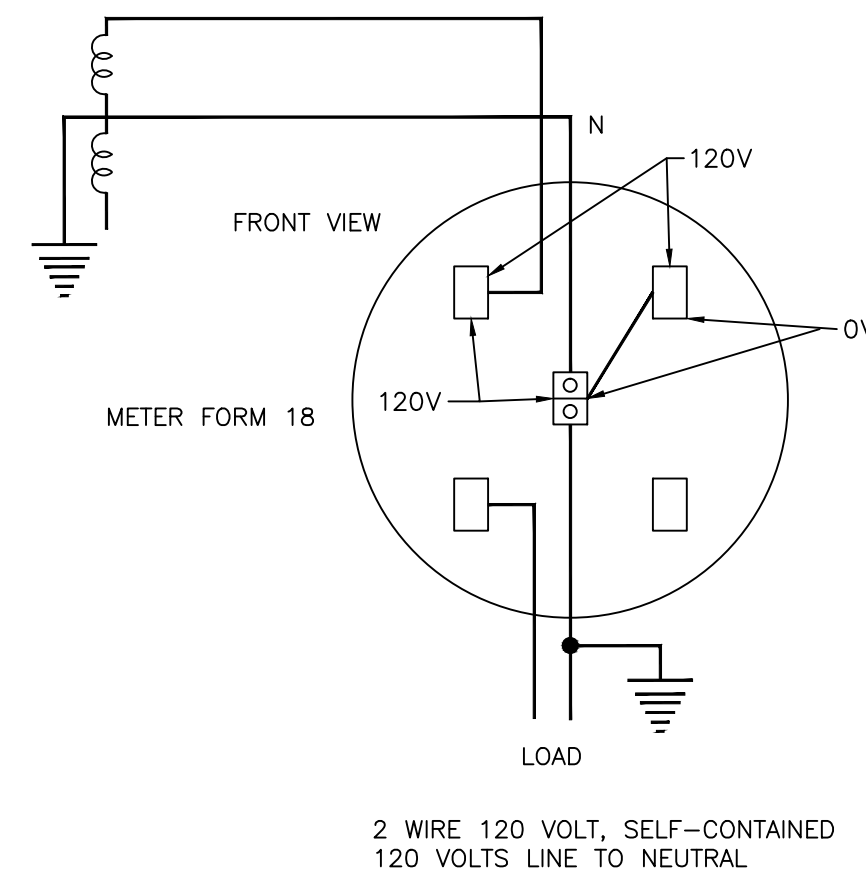
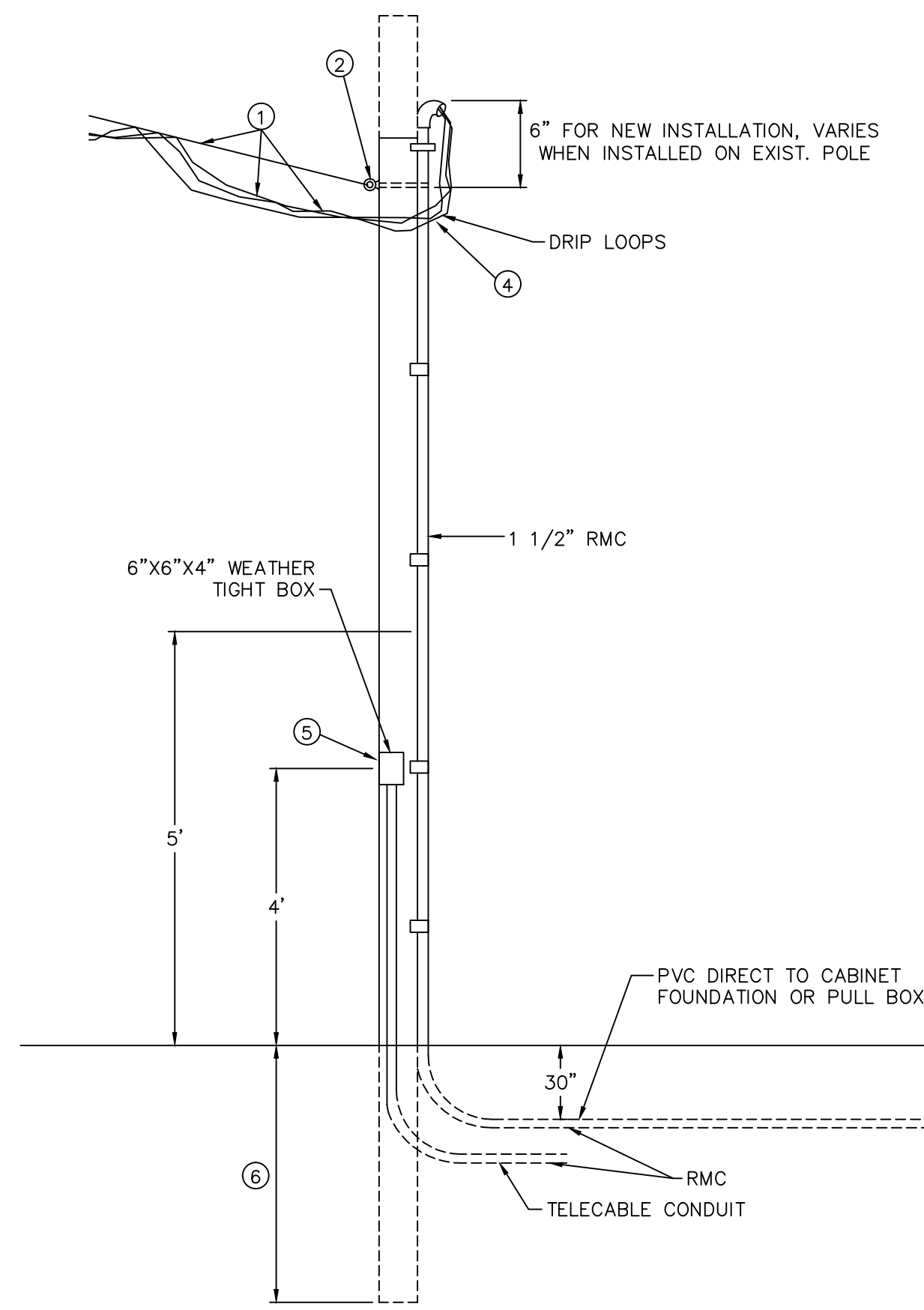


ELECTRIC SERVICE TO TYPICAL PERMANENT METER POLE INSTALLATION

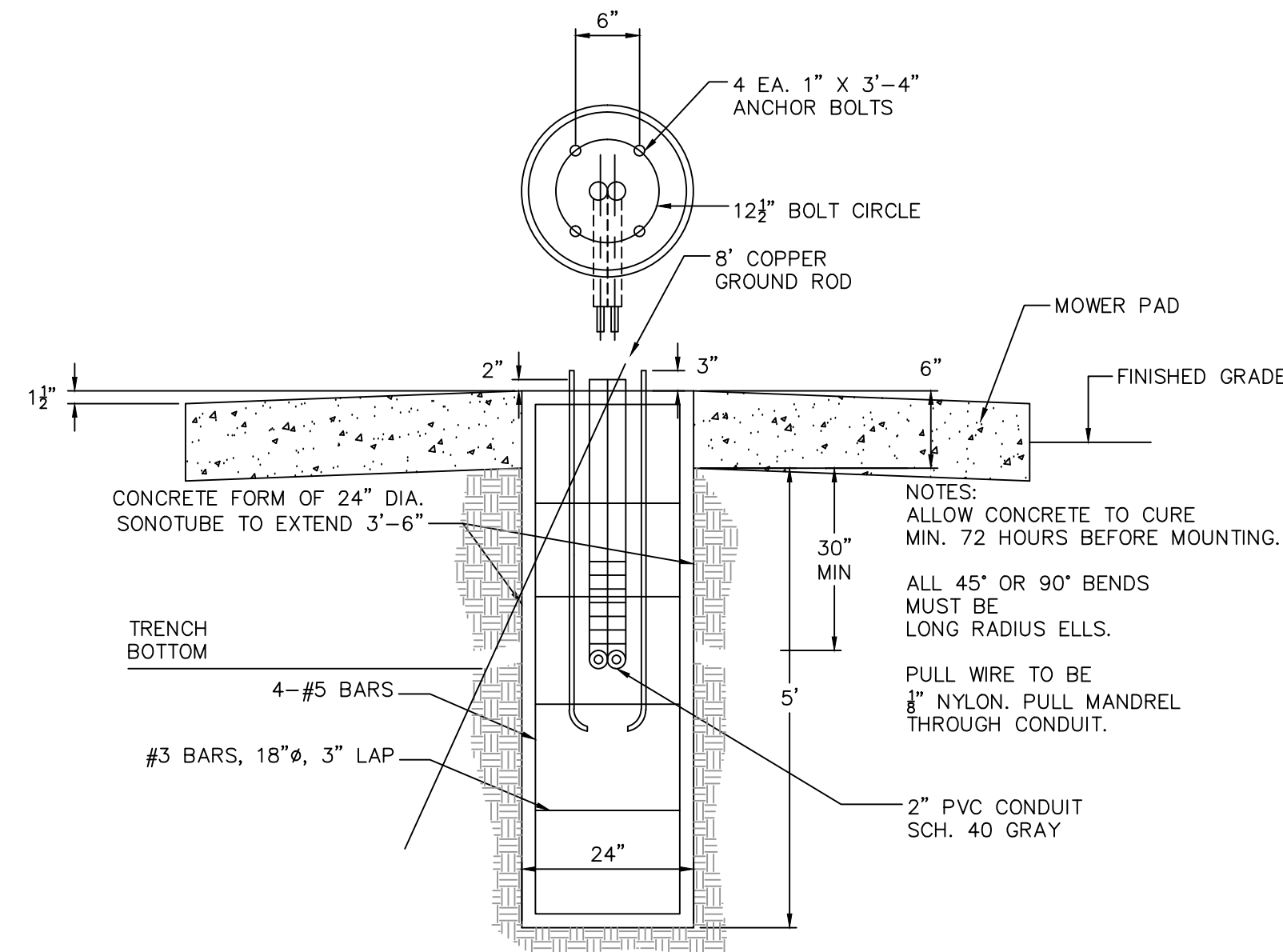
- NOTES:
- SERVICE DROP PROVIDED AND INSTALLED BY POWER COMPANY.
 - SERVICE ATTACHMENT PROVIDED BY POWER COMPANY AND INSTALLED BY CONTRACTOR.
 - METER SOCKET PROVIDED BY POWER COMPANY AND INSTALLED BY CONTRACTOR.
 - SERVICE ENTRANCE CONDUCTOR AND SERVICE RACEWAY PROVIDED AND INSTALLED BY CONTRACTOR. CONDUCTORS TO EXTEND 24" MIN. OUTSIDE SERVICE HEAD FOR CONNECTION TO SERVICE DROP. MINIMUM #6 COPPER CONDUCTOR TO BE NEC APPROVED PHASE CONDUCTORS BLACK INSULATION NEUTRAL CONDUCTORS WHITE OR BARE.
 - CONTRACTOR TO PROVIDE AND INSTALL SUPPORT FOR SERVICE ATTACHMENT AND METER SOCKET. CREOSOTE POLE (OR EQUAL) TO BE 5" MIN. DIA. AT TOP. STEEL POLE TO BE 4" MIN. OUTSIDE DIAMETER. SUPPORT TO BE SUFFICIENT HEIGHT FOR THE SERVICE DROP TO MEET MIN. CLEARANCES.
 - POLE TO BE SET IN 4 FEET OF TAMPED EARTH OR CONCRETE WHERE SOIL CONDITIONS WARRANT. PIPE TO BE SET IN 4 FEET OF CONCRETE.
 - WEATHERPROOF SERVICE SWITCH TO BE PROVIDED AND INSTALLED BY CONTRACTOR.
 - CONTRACTOR'S GROUND CONDUCTOR #6 COPPER MINIMUM TO APPROVED ELECTRODE.
 - CONTRACTOR INSTALLATION TO MEET ALL REQUIREMENTS OF NATIONAL ELECTRICAL CODE AND LOCAL ORDINANCES.



METER SOCKET CONNECTIONS AND VOLTAGES 4-TERMINAL SOCKET



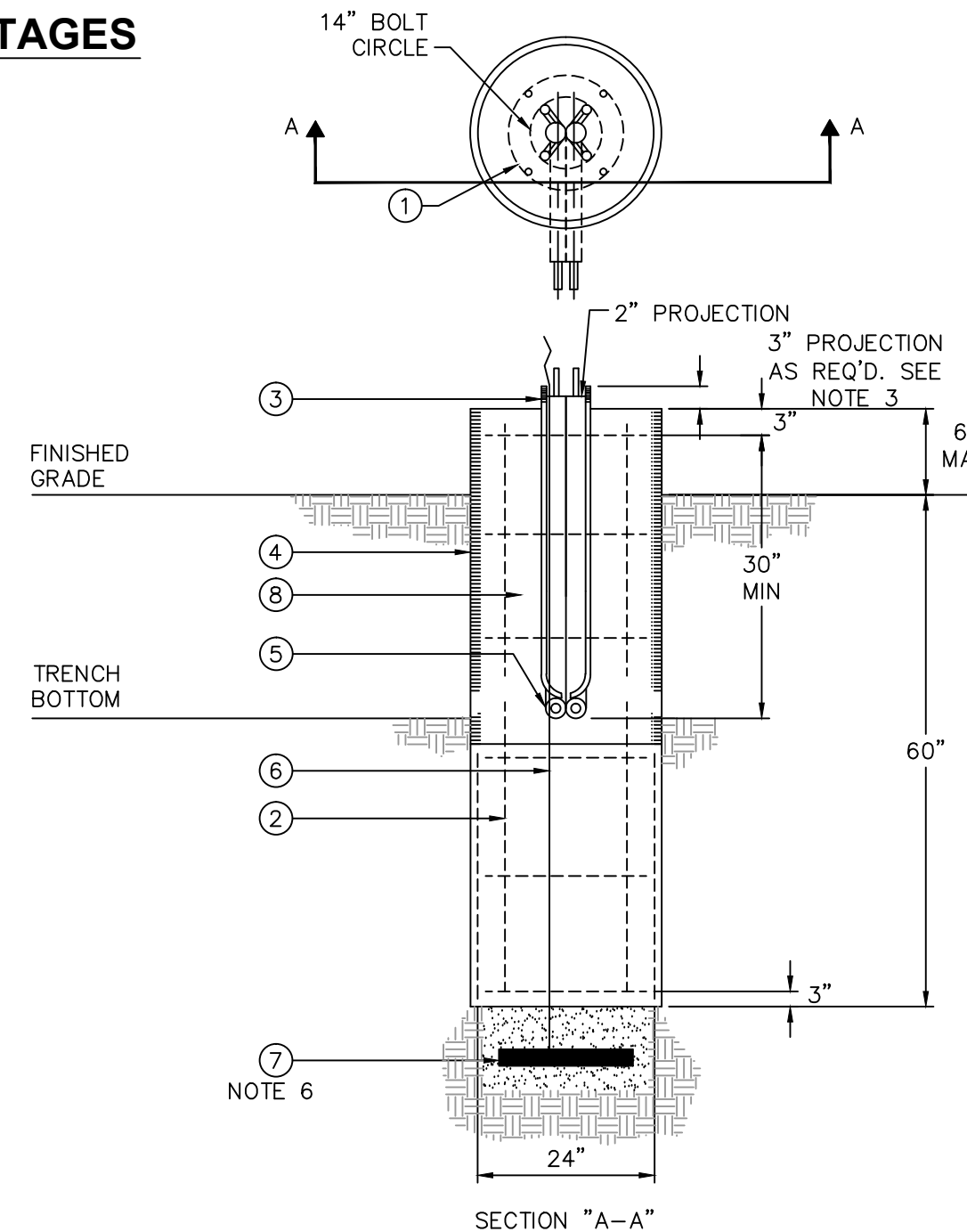
ELECTRIC SERVICE TO TYPICAL PERMANENT PEDESTAL INSTALLATION



CITY OF RICHARDSON STREET LIGHT FOUNDATION 40' SQUARE STEEL POLE C.O.R.

- STREET LIGHT FOUNDATION NOTES
- CONDUIT, TRENCHES AND BASES MUST BE INSPECTED BY C.O.R. DISTRIBUTION DEPT. BEFORE ANY BACK-FILLING OR CONCRETE WORK IS DONE. FAILURE TO HAVE INSPECTION WILL RESULT IN REMOVAL OF WORK. CALL 881-5400 FOR INSPECTION.
 - ANCHOR BOLTS WILL BE FURNISHED BY CITY OF RICHARDSON.
 - PROVIDE AN 8 FT. LONG GROUND ROD FOR CONNECTION OF WIRE TO POLE.
 - MOWER PAD IS REQUIRED ONLY WHEN STREET LIGHTS ARE LOCATED IN GRASS AREA. PAD WILL BE SUBSIDIARY TO STREET LIGHT FOUNDATION.
 - ON PAVED MEDIANS, FOUNDATION SHALL BE FLUSH WITH HIGHEST CURB.

ONCOR/TXU STREET LIGHT FOUNDATION 25', 30' & 40' SQUARE STEEL POLE 40' M.H. ROUND STEEL POLE



ITEM	QTY	DESCRIPTION	TSN	AUN	MACRO AUN
1	6	#3 REBAR 18" DIA. HOOP. 3 IN. OVERLAP	314470		
2	4	#6 REBAR STRAIGHT. 50 IN. LONG	317821		
3	4	ANCHOR BOLT, GALV 1 IN. (SUPPLIED W/POLE)			
4	AS REQ'D	CONCRETE FOUNDATION TUBE 24 IN. DIA.	313841	SLF01	21332001
5	AS REQ'D	CONDUIT PVC OR PEC (NOT IN FOUND. AUN)			
6	.5 LB	WIRE #6 COPPER SOLID	310091		
7	1	GROUND, POLE BUTT WIRE COIL			
8	AS REQ'D	CONCRETE			

* 1 1/4" ANCHOR BOLT REQ'D. W/40' POLE

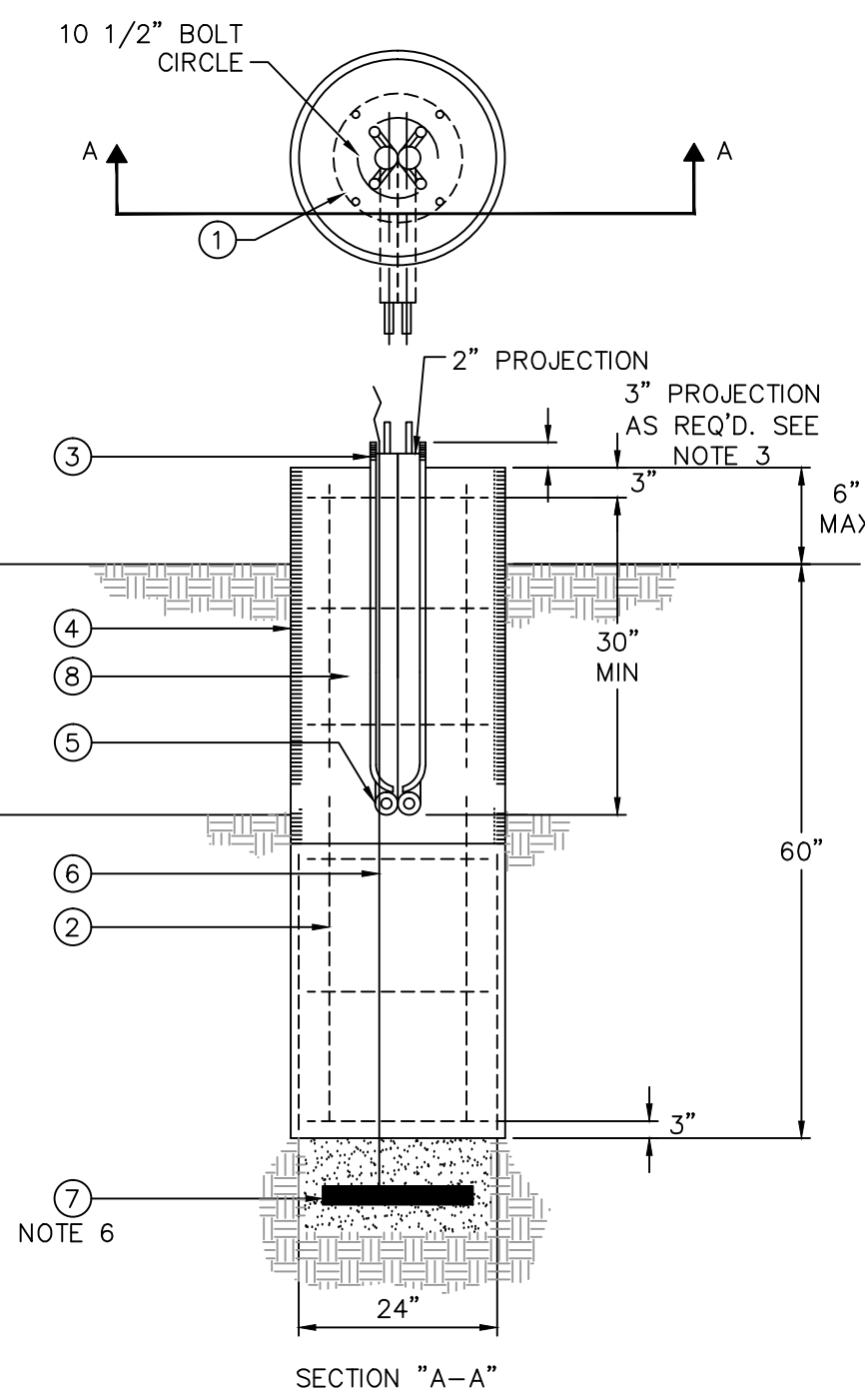
ITEM	QTY	DESCRIPTION	TSN	AUN	MACRO AUN
1	6	#3 REBAR 18" DIA. HOOP. 3 IN. OVERLAP	314470		
2	4	#6 REBAR STRAIGHT. 50 IN. LONG	317821		
3	4	ANCHOR BOLT, GALV 1 IN. (SUPPLIED W/POLE)			
4	AS REQ'D	CONCRETE FOUNDATION TUBE 24 IN. DIA.	313841	SLF01	21332001
5	AS REQ'D	CONDUIT PVC OR PEC (NOT IN FOUND. AUN)			
6	.5 LB	WIRE #6 COPPER SOLID	310091		
7	1	GROUND, POLE BUTT WIRE COIL			
8	AS REQ'D	CONCRETE			

APPROVED BY TXU ELECTRIC

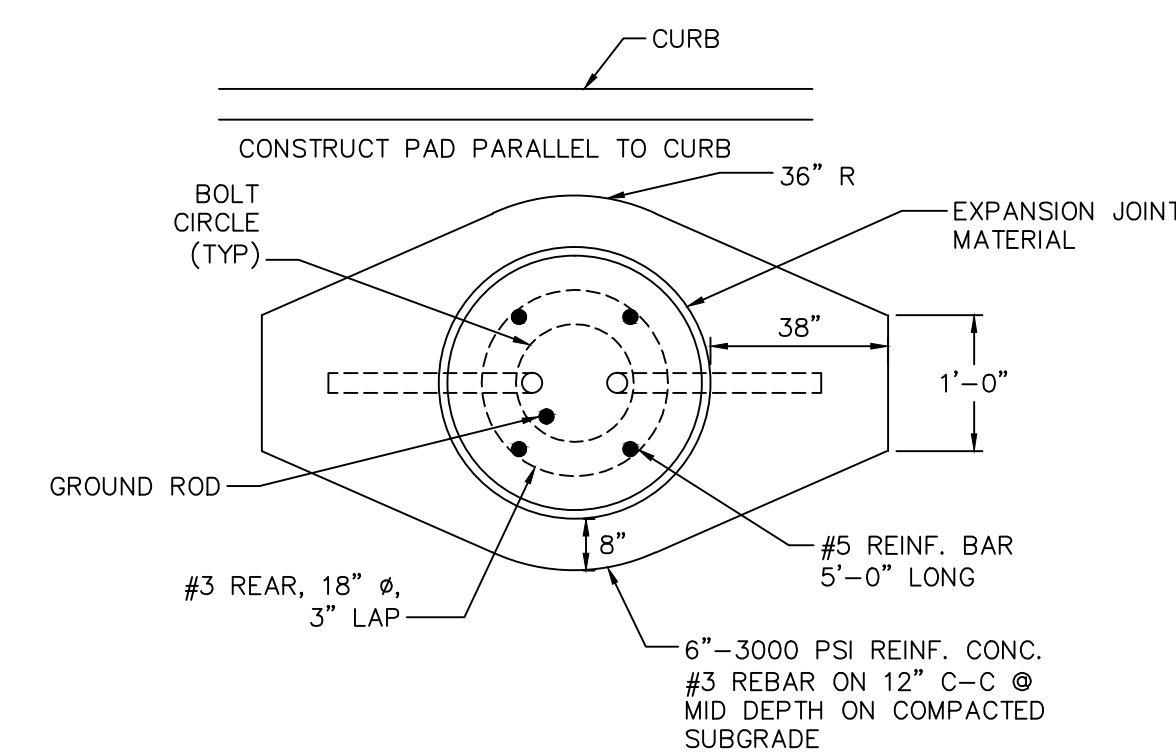
ONCOR/TXU STREET LIGHT FOUNDATION 25' M.H. & 30' M.H. ROUND STEEL POLE

- NOTES:
- CONCRETE TO BE MINIMUM 3000 PSI AT 28 DAYS. (6 SACK) MAXIMUM AGGREGATE 3". TOP OF FOUNDATION TO BE TROWELED TO A FLAT AND LEVEL SURFACE. AVOID EXCESSIVE TROWELING. CONCRETE TO SET A MINIMUM OF 72 HOURS BEFORE POLE INSTALLATION.
 - REBAR HOOPS ARE TIED BEGINNING 3" BELOW TOP OF CONCRETE FORM AND ARE REPEATED AT APPROXIMATE 1 FT. INTERVALS TO BOTTOM OF FOUNDATION.
 - CONTRACTOR TO PROVIDE ANCHOR BOLTS. ANCHOR BOLTS ARE NOT SUPPLIED WITH POLE. USE TEMPLATE FURNISHED BY POLE MANUFACTURER FOR ALIGNING ANCHOR BOLTS. PROJECTION OF 3 IN. ON 25' & 30 FT. SQUARE AND 3 1/2 IN. ON 40 FT. SQUARE AND 37 FT. ROUND POLES.
 - CONCRETE FORM OF SONOTUBE TO EXTEND TO BOTTOM OF TRENCH OR AS NEEDED.
 - PROVIDE 24" PIGTAIL FOR CONNECTION OF GROUND WIRE TO POLE.
 - A MINIMUM OF 12' OF BARE #6 SD CU WIRE TO BE PLACED IN BOTTOM OF HOLE AND COVERED WITH 2" OF DIRT.
 - IF SOIL HAS BEEN DISTURBED, EXTEND FOUNDATION BY DEPTH OF DISTURBED SOIL.
 - MOWER PAD IS REQUIRED ONLY WHEN STREET LIGHTS ARE LOCATED IN GRASS AREA. PAD WILL BE SUBSIDIARY TO STREET LIGHT FOUNDATION.

APPROVED BY TXU ELECTRIC



- NOTES:
- CONCRETE TO BE MINIMUM 3000 PSI AT 28 DAYS. (6 SACK) MAXIMUM AGGREGATE 3". TOP OF FOUNDATION TO BE TROWELED TO A FLAT AND LEVEL SURFACE. AVOID EXCESSIVE TROWELING. CONCRETE TO SET A MINIMUM OF 72 HOURS BEFORE POLE INSTALLATION.
 - REBAR HOOPS ARE TIED BEGINNING 3" BELOW TOP OF CONCRETE FORM AND ARE REPEATED AT APPROXIMATE 1 FT. INTERVALS TO BOTTOM OF FOUNDATION.
 - CONTRACTOR TO PROVIDE ANCHOR BOLTS. ANCHOR BOLTS ARE NOT SUPPLIED WITH POLE. USE TEMPLATE FURNISHED BY POLE MANUFACTURER FOR ALIGNING ANCHOR BOLTS.
 - CONCRETE FORM OF SONOTUBE TO EXTEND TO BOTTOM OF TRENCH OR AS NEEDED.
 - PROVIDE 24" PIGTAIL FOR CONNECTION OF GROUND WIRE TO POLE.
 - A MINIMUM OF 12' OF BARE #6 SD CU WIRE TO BE PLACED IN BOTTOM OF HOLE AND COVERED WITH 2" OF DIRT.
 - IF SOIL HAS BEEN DISTURBED, EXTEND FOUNDATION BY DEPTH OF DISTURBED SOIL.
 - MOWER PAD IS REQUIRED ONLY WHEN STREET LIGHTS ARE LOCATED IN GRASS AREA. PAD WILL BE SUBSIDIARY TO STREET LIGHT FOUNDATION.



MOWER PAD

Revisions:

City of Richardson
411 W. Arapaho Road
Suite 204
Richardson, Texas 75080
voice: 972 744-4280
fax: 972 744-5804

Drawn By: RGB
Checked By: COR

CITY OF RICHARDSON TEXAS



STANDARD DETAILS
City of Richardson, Texas

NO ADDITIONS OR CHANGES TO STANDARD DETAIL SHEETS UNLESS APPROVED BY CITY OF RICHARDSON

24"x36" Scale: NTS

11"x17" Scale: NTS

Vertical Scale: NA

Project Number: XXX

Issue Date: 01 MAY 14

Sheet Title:

TRAFFIC

Sheet No.:

T-1